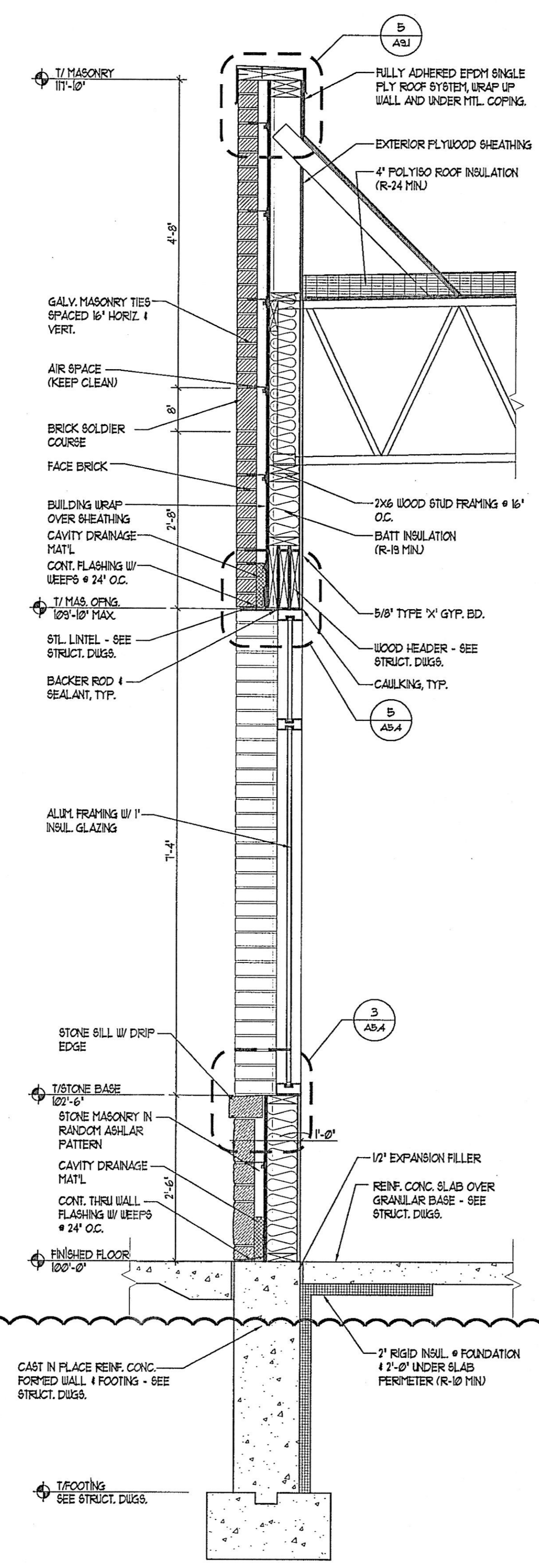
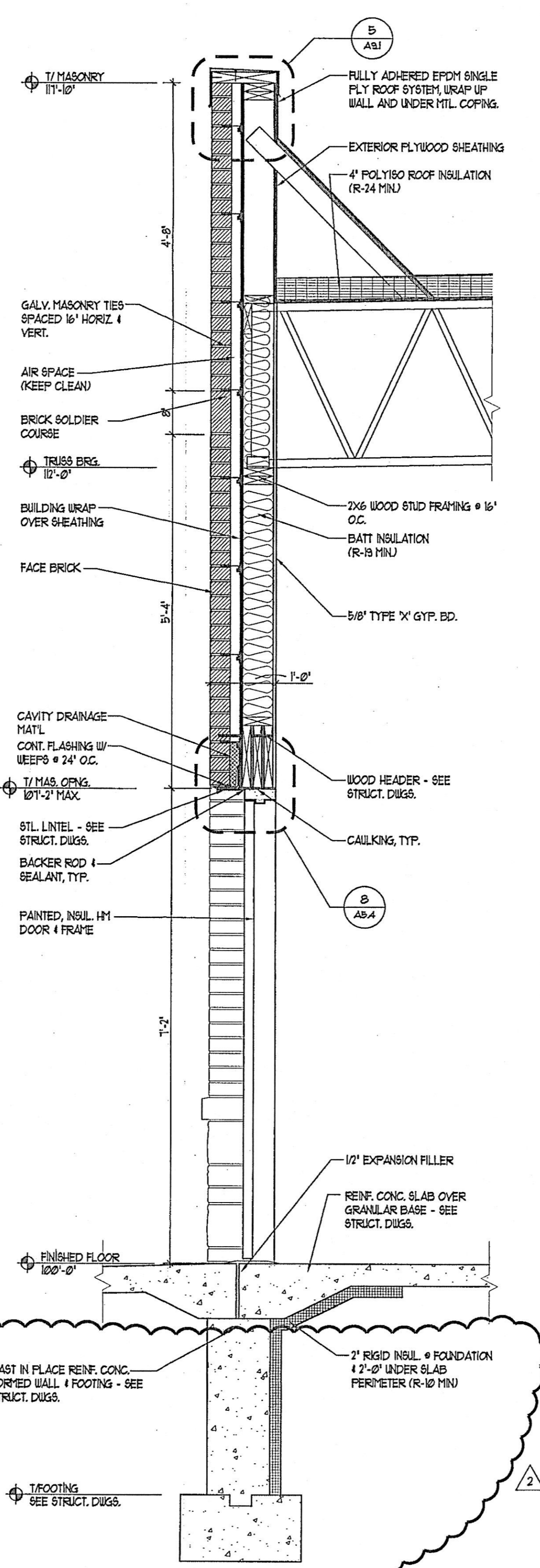


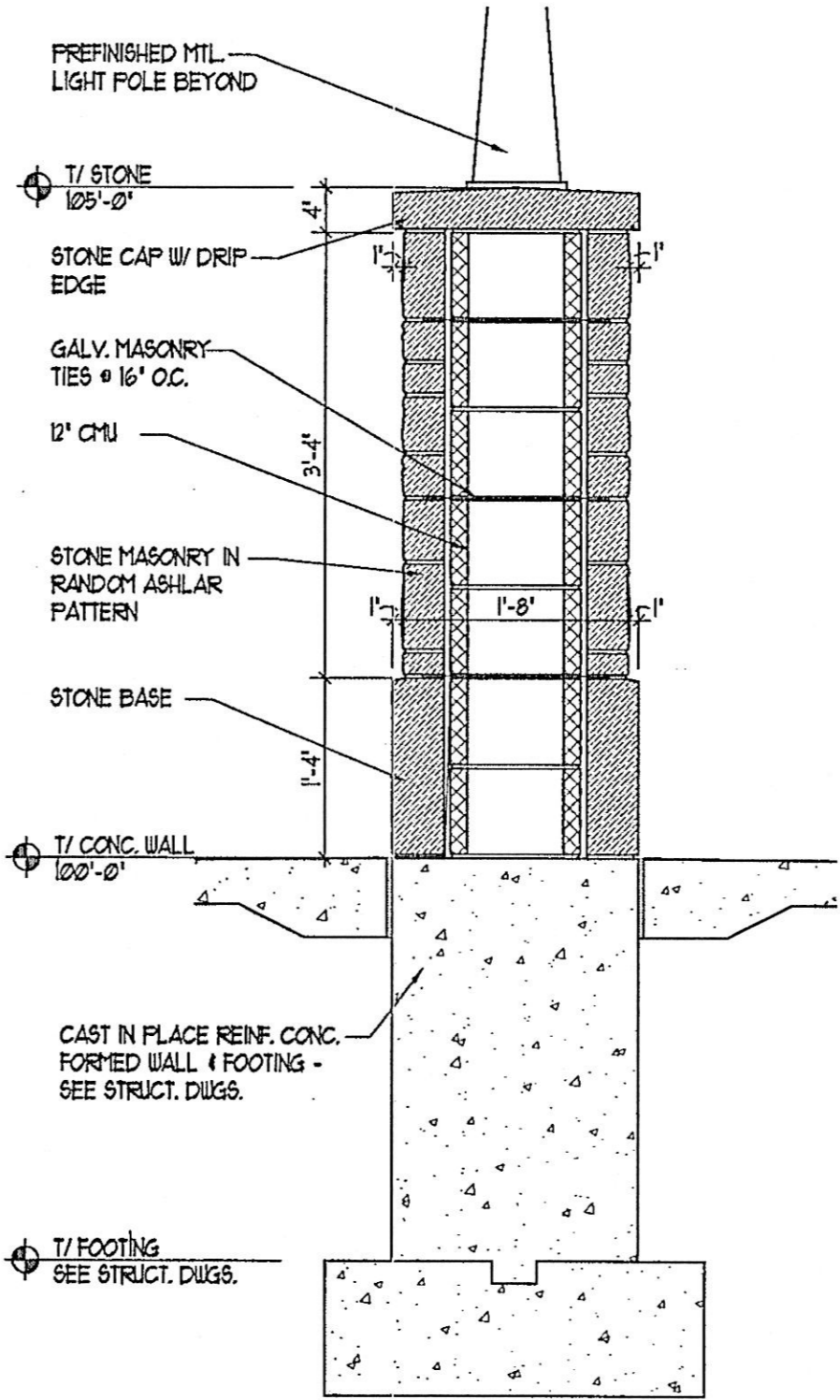
1 WALL SECTION
A5.3 3/4"=1'-0"



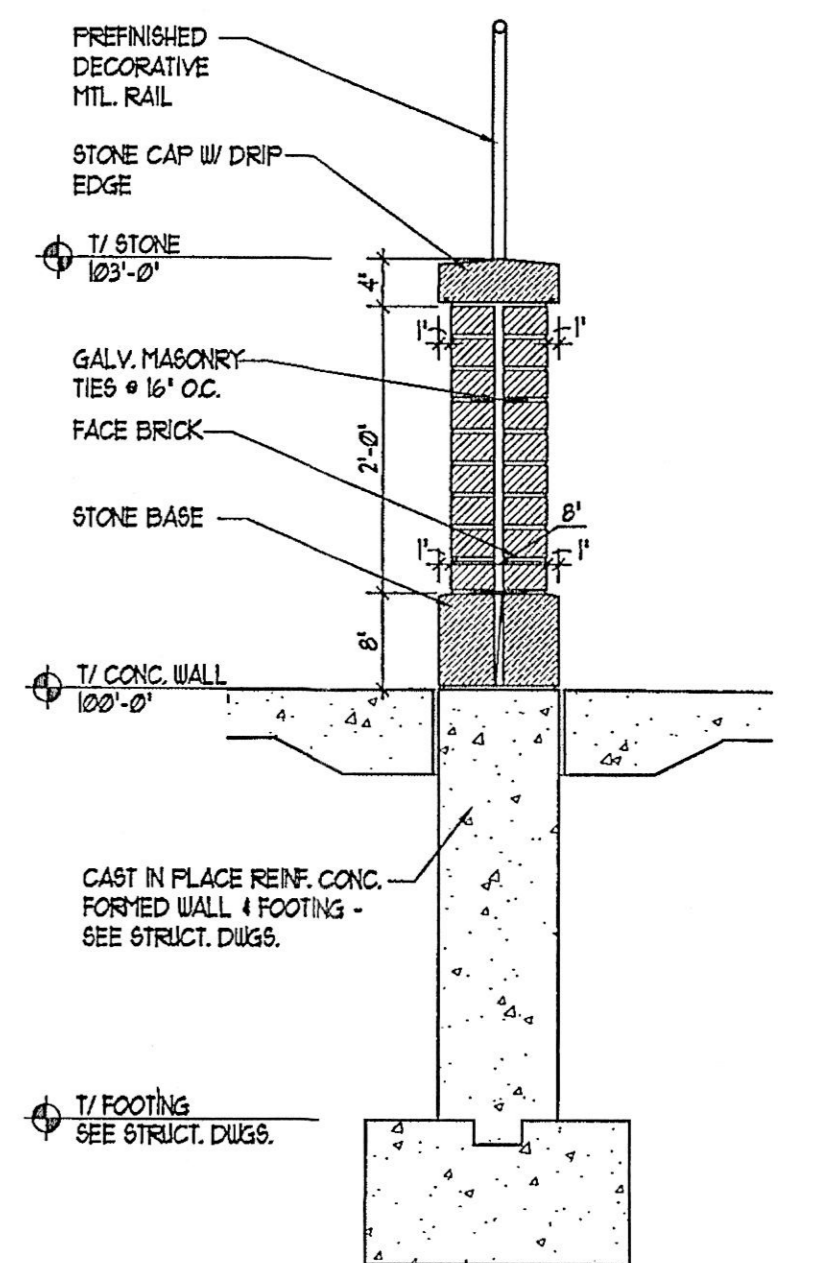
2 WALL SECTION
A5.3 3/4"=1'-0"



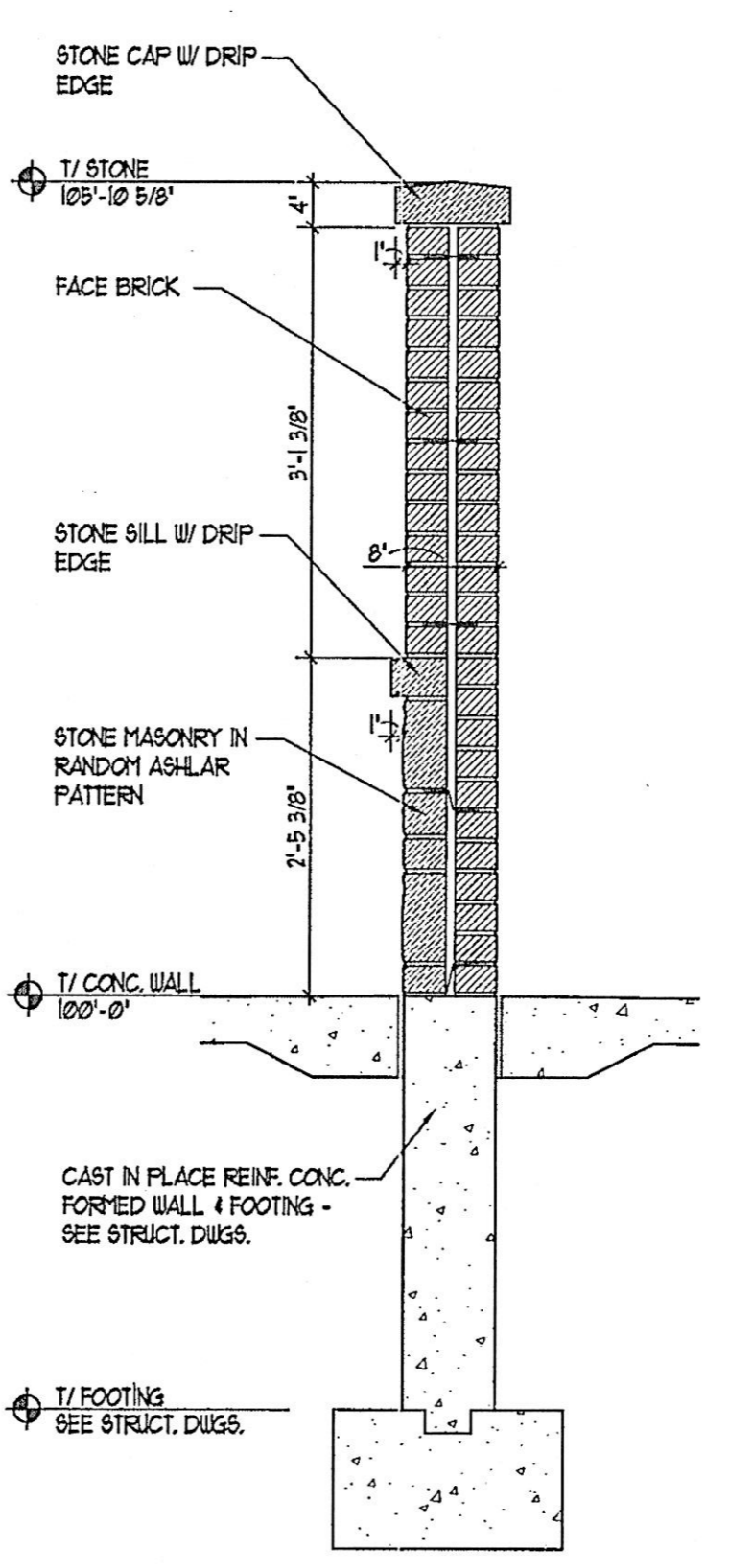
3 WALL SECTION
A5.3 3/4"=1'-0"



4 WALL SECTION
A5.3 3/4"=1'-0"



5 WALL SECTION
A5.3 3/4"=1'-0"



6 WALL SECTION
A5.3 3/4"=1'-0"

NOTE:
WOOD IN CONTACT WITH CONCRETE SHALL BE PRESERVATIVE TREATED WOOD.